

Item Number HSR-042R Series Contact Form A Switch Configuration SPST Rev. E

Form A Miniature Switch

Features	Advantages
<ul style="list-style-type: none"> • Hermetically sealed Rhodium contacts • Materials are Lead free and RoHS compliant • Industry Standard Size • Offset gap construction 	<ul style="list-style-type: none"> • Extended operations in extreme environments • Not ESD sensitive • Exceptional performance in magnetic proximity applications

Electrical Specifications

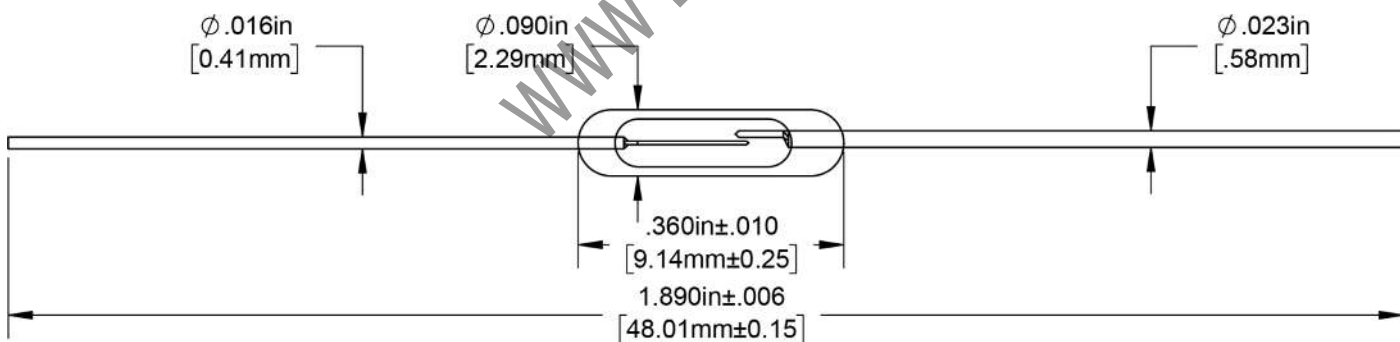
Power		Watts - maximum	4
Voltage	Switching	VDC - maximum	100
	Breakdown	VDC - minimum	200
Current	Switching	Amp - maximum	0.2
	Carry	Amp - maximum	2.0
Resistance	Initial Contact Resistance	Ohm - maximum	0.20
	Insulation Resistance	Ohm - minimum	1 E11
Capacitance	Contact	pF - typical	0.8
Temperature	Operating	°C	-40 to +125
	Storage	°C	-40 to +200

Magnetic Specifications

Pull - In Range		Ampere Turns	10-35
Test Coil		NARM RS-421-A	Coil I

Physical/Operational Specifications

Capsule Volume	Excluding Leads	CC - nominal	0.04
Contact Material			Rhodium
Operate Time	Including Bounce	mSeconds - maximum	0.60
Release Time		mSeconds - maximum	0.10



Notes:

- (1) Specifications are not constant across entire magnetic range.
- (2) Customer must exercise care in handling, mounting, lead forming, and cutting to prevent damage to glass capsule and/or switch sensitivity.
- (3) For custom configurations or information about performance, mounting options or packaging, contact our Sales department.
- (4) Information contained hereon is for informational purposes only and should not be deemed as accurate for a specific application. Consult factory for specific application information and/or latest revision.