

Item Number HSR-370R Series Contact Form C Switch Configuration SPDT Rev. F

Form C Miniature Reed Switch

Features	Advantages
<ul style="list-style-type: none"> Hermetically sealed contacts Switch materials are Lead free and RoHS compliant 	<ul style="list-style-type: none"> Not ESD sensitive Extended operations in extreme environments Ideal for miniature reed relays

Electrical Specifications

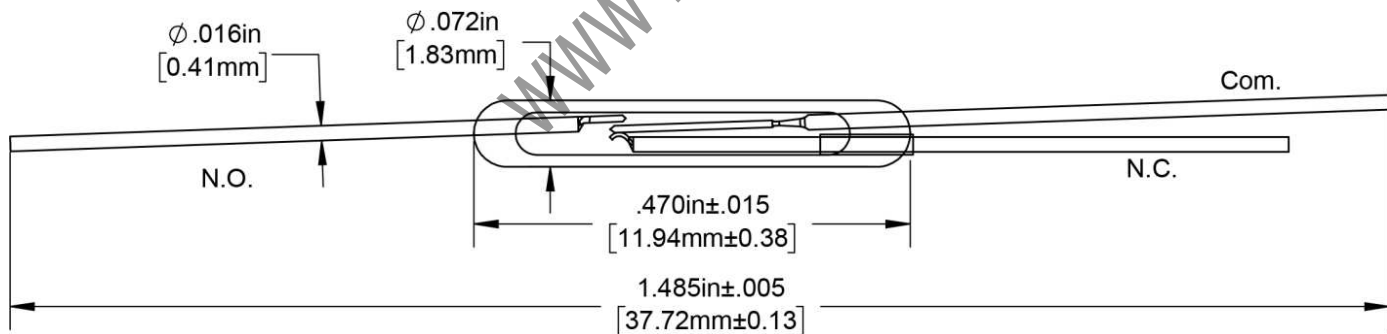
Power		Watts - maximum	3
Voltage	Switching	VDC - maximum	30
	Breakdown	VDC - minimum	300
Current	Switching	Amp - maximum	0.1
	Carry	Amp - maximum	1.6
Resistance	Initial Contact Resistance	Ohm - maximum	0.20
	Insulation Resistance	Ohm - minimum	1 E10
Capacitance	Contact	pF - typical	0.3
Temperature	Operating	°C	-40 to +125
	Storage	°C	-40 to +200

Magnetic Specifications

Pull - In Range		Ampere Turns	15-35
Test Coil		NARM RS-421-A	Coil I

Physical/Operational Specifications

Capsule Volume	Excluding Leads	CC - nominal	0.03
Contact Material			Rhodium
Operate Time	Including Bounce	mSeconds - maximum	0.90
Release Time		mSeconds - maximum	0.70



Notes:

- Specifications are not constant across entire magnetic range.
- Customer must exercise care in handling, mounting, lead forming, and cutting to prevent damage to glass capsule and/or switch sensitivity.
- For information about performance, custom configurations, mounting options or packaging contact our Sales department.
- Information contained hereon is for informational purposes only and should not be deemed as accurate for a specific application. Consult factory for specific application information and/or latest revision.