

Item Number HSR-1015R Series Contact Form A Switch Configuration SPST Rev. H

Form A Miniature Switch

Features	Advantages
<ul style="list-style-type: none"> • Hermetically sealed contacts • AC rating: 120/220 VAC • Switch materials are Lead free and RoHS compliant 	<ul style="list-style-type: none"> • Extended operations in extreme environments • Not ESD sensitive • Ideal for proximity sensors and reed relays

Electrical Specifications

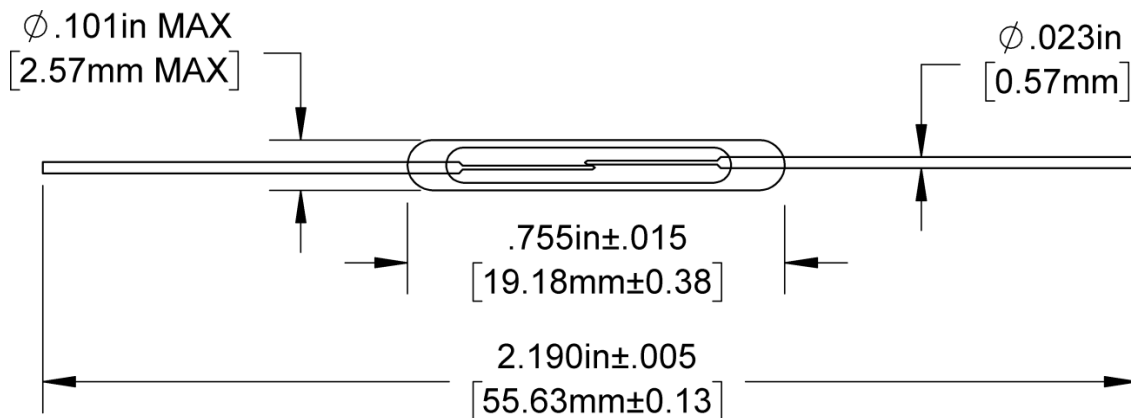
Power		Watts - maximum	10
Voltage	Switching	VDC - maximum	200
	Breakdown	VDC - minimum	500
Current	Switching	Amp - maximum	0.5
	Carry	Amp - maximum	3
Resistance	Initial Contact Resistance	Ohm - maximum	0.10
	Insulation Resistance	Ohm - minimum	1 E12
Capacitance	Contact	pF - typical	0.9
Temperature	Operating	°C	-40 to +125
	Storage	°C	-40 to +200

Magnetic Specifications

Pull - In Range		Ampere Turns	10-45
Test Coil		NARM RS-421-A	Coil II

Physical/Operational Specifications

Capsule Volume	Excluding Leads	CC - nominal	0.1
Contact Material			Rhodium
Operate Time	Including Bounce	mSeconds - maximum	0.70
Release Time		mSeconds - maximum	0.30



Notes:

- (1) Specifications are not constant across entire magnetic range.
- (2) Customer must exercise care in handling, mounting, lead forming, and cutting to prevent damage to glass capsule and/or switch sensitivity.
- (3) For information or custom configurations about performance, mounting options or packaging, contact our Sales Department.
- (4) Information contained hereon is for informational purposes only and should not be deemed as accurate for a specific application. Consult factory for specific application information and/or latest revision.