

Item Number HSR-1016R Series Contact Form A Switch Configuration SPST Rev. B

**Form A Miniature Reed Switch**

Features	Advantages
<ul style="list-style-type: none"> <li>• Hermetically sealed contacts</li> <li>• Unique blade design and surface finish</li> <li>• Switch materials are Lead free and RoHS compliant</li> </ul>	<ul style="list-style-type: none"> <li>• Extended operation in extreme environments</li> <li>• Not ESD sensitive</li> <li>• Ideal for proximity sensors and reed relays</li> </ul>

**Electrical Specifications**

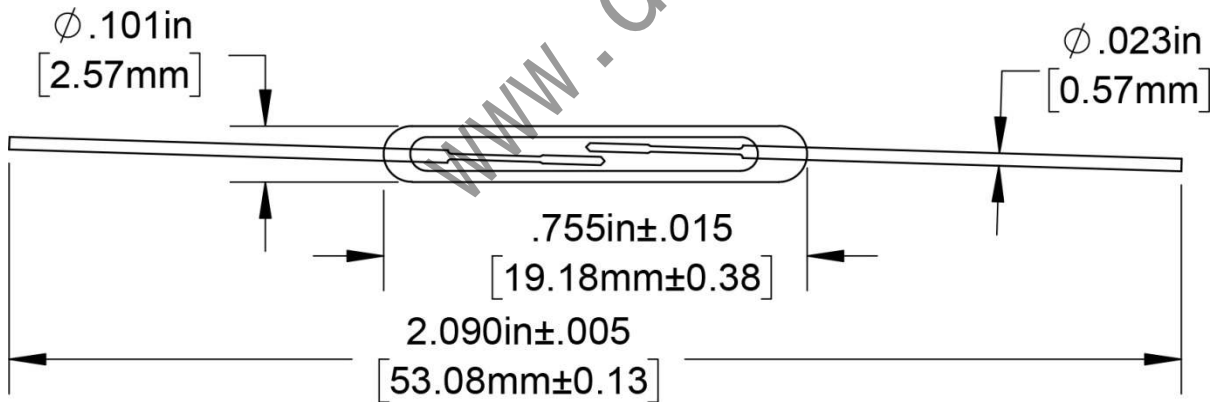
Power		Watts - maximum	10
Voltage	Switching	VDC - maximum	200
	Breakdown	VDC - minimum	400
Current	Switching	Amp - maximum	0.5
	Carry	Amp - maximum	1.5
Resistance	Initial Contact Resistance	Ohm - maximum	0.15
	Insulation Resistance	Ohm - minimum	1 E11
Capacitance	Contact	pF - typical	0.9
Temperature	Operating	°C - maximum	-40 to +125
	Storage	°C	-40 to +200

**Magnetic Specifications**

Pull - In Range		Ampere Turns	15-40
Test Coil		NARM RS-421-A	Coil II

**Physical/Operational Specifications**

Capsule Volume	Excluding Leads	CC - nominal	0.1
Contact Material			Rhodium
Operate Time	Including Bounce	mSeconds - maximum	0.70
Release Time		mSeconds - maximum	0.20



**Notes:**

- (1) Specifications are not constant across entire magnetic range.
- (2) Customer must exercise care in handling, mounting, lead forming, and cutting to prevent damage to glass capsule and/or switch sensitivity.
- (3) For information or custom configurations about performance, mounting options or packaging, contact our Sales department.
- (4) Information contained hereon is for informational purposes only and should not be deemed as accurate for a specific application. Consult factory for specific application information and/or latest revision.