

Item Number HSR-134W Series Contact Form A Switch Configuration SPST Rev. E

### Form A High Power Switch

Features	Advantages
<ul style="list-style-type: none"> <li>Hermetically sealed Tungsten contacts</li> <li>Materials are Lead free and RoHS compliant</li> <li>Rated to switch 120 VAC</li> </ul>	<ul style="list-style-type: none"> <li>Extended operations in extreme environments</li> <li>Not ESD sensitive</li> <li>Excellent performance under inductive or capacitive loads</li> <li>Note: Requires a 3W minimum load</li> </ul>

### Electrical Specifications

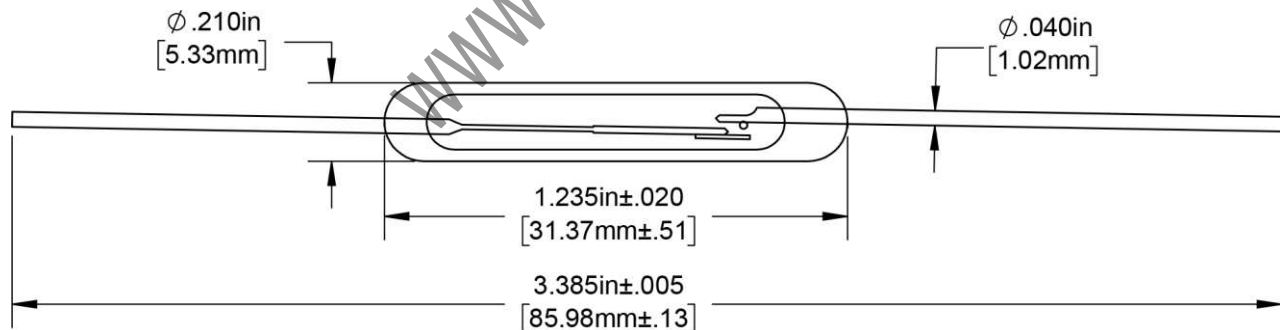
Power		Watts - maximum	100
Voltage	Switching	VDC - maximum	120
	Breakdown	VDC - minimum	700
Current	Switching	Amp - maximum	3.0
	Carry	Amp - maximum	5.1
Resistance	Initial Contact Resistance	Ohm - maximum	0.50
	Insulation Resistance	Ohm - minimum	1 E+11
Capacitance	Contact	pF - typical	0.9
Temperature	Operating	°C	-40 to +125
	Storage	°C	-40 to +200

### Magnetic Specifications

Pull - In Range		Ampere Turns	60-100
Test Coil		NARM RS-421-A	Coil III

### Physical/Operational Specifications

Capsule Volume	Excluding Leads	CC - nominal	0.7
Contact Material			Tungsten Bar and Plate
Operate Time	Including Bounce	mSeconds - maximum	6.00
Release Time		mSeconds - maximum	0.70



#### Notes:

- Specifications are not constant across entire magnetic range.
- Customer must exercise care in handling, mounting, lead forming, and cutting to prevent damage to glass capsule and/or switch sensitivity.
- For information about performance, custom configurations, mounting options or packaging, contact our Sales department.
- Information contained hereon is for informational purposes only and should not be deemed as accurate for a specific application. Consult factory for specific application information and/or latest revision.