

Item Number HSR-630R Series Contact Form C Switch Configuration SPDT Rev. G

### Form C Standard Switch

Features	Advantages
<ul style="list-style-type: none"> <li>Hermetically sealed Rhodium contacts</li> <li>Materials are Lead free and RoHS compliant</li> <li>Industry standard size</li> </ul>	<ul style="list-style-type: none"> <li>Not ESD sensitive</li> <li>Extended operations in extreme environments</li> </ul>

### Electrical Specifications

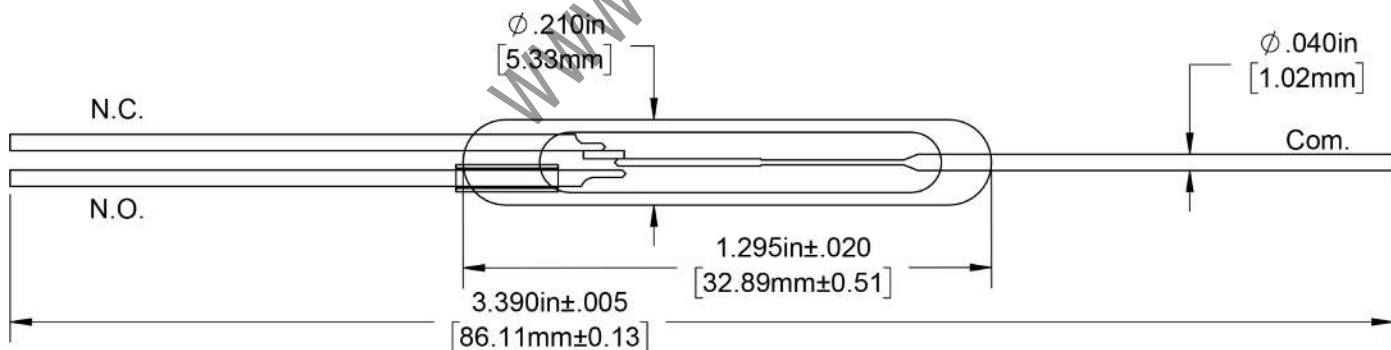
Power		Watts - maximum	25
Voltage	Switching	VDC - maximum	150
	Breakdown	VDC - minimum	350
Current	Switching	Amp - maximum	1.0
	Carry	Amp - maximum	6.2
Resistance	Initial Contact Resistance	Ohm - maximum	0.10
	Insulation Resistance	Ohm - minimum	1 E9
Capacitance	Contact	pF - typical	2.2
Temperature	Operating	°C	-40 to +125
	Storage	°C	-40 to +200

### Magnetic Specifications

Pull - In Range		Ampere Turns	40-80
Test Coil		NARM RS-421-A	Coil IV

### Physical/Operational Specifications

Capsule Volume	Excluding Leads	CC - nominal	0.74
Contact Material			Rhodium
Operate Time	Including Bounce	mSeconds - maximum	2.70
Release Time		mSeconds - maximum	4.50



#### Notes:

- Specifications are not constant across entire magnetic range.
- Customer must exercise care in handling, mounting, lead forming, and cutting to prevent damage to glass capsule and/or switch sensitivity.
- For information about performance, custom configurations, mounting options, or packaging, contact our Sales department.
- Information contained hereon is for informational purposes only and should not be deemed as accurate for a specific application. Consult factory for specific application information and/or latest revision.