

Part Number HSR-194W Contact Form A Switch Configuration SPST Rev. F

Standard Size Switch with Special Tungsten Contacts

Features	Advantages
<ul style="list-style-type: none"> • Hermetically sealed contacts • Tungsten contacts • Switch materials are lead free and RoHS compliant • Drop Out will not exceed 55% of Pull In 	<ul style="list-style-type: none"> • Extended operations in extreme environments • Not ESD sensitive • Excellent historical performance

Electrical Specifications

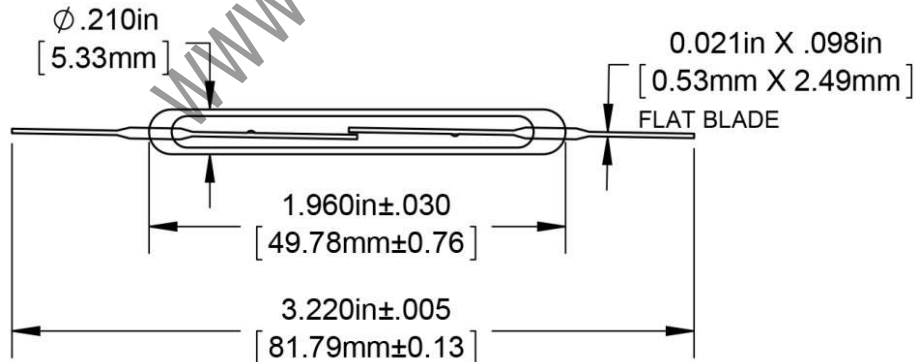
Power		Watts - maximum	50
Voltage	Switching	VDC - maximum	350
	Breakdown	VDC - minimum	600
Current	Switching	Amp - maximum	2
	Carry	Amp - maximum	6
Resistance	Initial Contact Resistance	Ohm - maximum	0.1
	Insulation Resistance	Ohm - minimum	1 E10
Capacitance	Contact	pF - typical	1.4
Temperature	Operating	°C	-40 to +125
	Storage	°C	-40 to +200

Magnetic Specifications

Pull - In Range		Ampere Turns	60-100
Test Coil		NARM RS-421-A	Coil IV

Physical/Operational Specifications

Capsule Volume	Excluding Leads	CC - nominal	1.13
Contact Material			Tungsten
Operate Time	Including Bounce	mSeconds - maximum	3
Release Time		mSeconds - maximum	1.3



Notes:

- (1) Specifications are not constant across entire magnetic range.
- (2) Customer must exercise care in handling, mounting, lead forming, and cutting to prevent damage to glass capsule and/or switch sensitivity.
- (3) For information or custom configurations about performance, mounting options or packaging, contact our Sales department.
- (4) Information contained heron is for informational purposes only and should not be deemed as accurate for a specific application. Consult factory for specific application information and/or latest revision.