

Item Number HSR-916W Series Contact Form A Switch Configuration SPST Rev. B

Form A High Voltage and High Power Reed Switch

Features	Advantages
<ul style="list-style-type: none"> Hermetically sealed tungsten contacts Internal vacuum atmosphere Voltage Hold-off determined at 2µA Max leakage current Switch materials are Lead free and RoHS compliant 	<ul style="list-style-type: none"> Not ESD sensitive High voltage holdoff and switching ability Suitable for high current loads

Electrical Specifications

Voltage			
Pull In (AT)	Breakdown (VDC)	Holdoff (VDC)	Switching (VDC)
80-110	10,000	8,000	6,000
110-140	14,000	11,000	7,500
140-170	17,000	15,000	10,000

Notes: Holdoff testing applies voltage across open contacts and requires the switch to hold it off without breaking down or exceeding the leakage current limit. HSI tests all High Voltage switches for Holdoff.

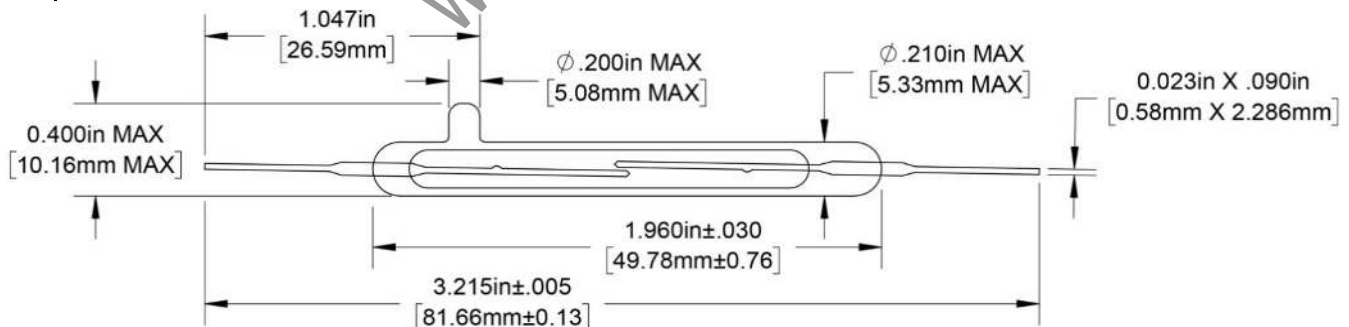
Power		Watts - maximum	100
Current	Switching	Amp - maximum	3.0
	Carry	Amp - maximum	5.0
Resistance	Initial Contact Resistance	Ohm - maximum	0.10
	Insulation Resistance	Ohm - minimum	1 E11
Capacitance	Contact	pF - typical	1.6
Temperature	Operating	°C	-60 to +150
	Storage	°C	-60 to +200

Magnetic Specifications

Pull - In Range		Ampere Turns	60-170*
Test Coil		NARM RS-421-A	Coil III

Physical/Operational Specifications

Capsule Volume	Excluding Leads	CC - nominal	1.22
Contact Material			Tungsten
Operate Time	Including Bounce	mSeconds - maximum	2.50
Release Time		mSeconds - maximum	1.50



Notes:

- Specifications are not constant across entire magnetic range.
- Customer must exercise care in handling, mounting, lead forming, and cutting to prevent damage to glass capsule and/or switch sensitivity.
- For information about performance, custom configurations, mounting options or packaging contact our Sales department.
- Information contained hereon is for informational purposes only and should not be deemed as accurate for a specific application. Consult factory for specific application information and/or latest revision.