



Products for tomorrow...

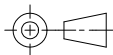
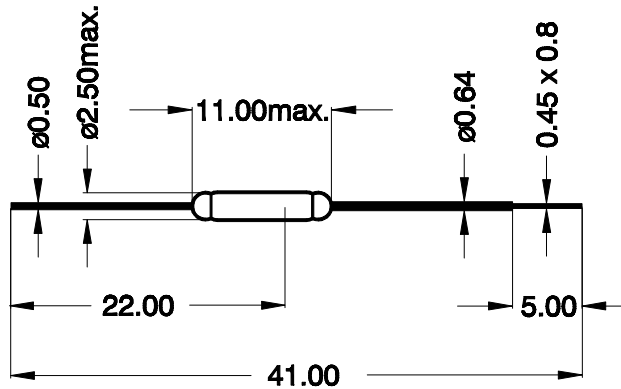
Headquarter Europe
 MEDER electronic AG
 Friedrich-List Strasse 6
 D-78234 Engen-Welschingen
 Tel.: +49(0)7733-9487-0
 Fax: +49(0)7733-9487-32
 eMail: info@meder.com
 Internet: www.meder.com

Headquarter USA
 MEDER electronic Inc.
 766 Falmouth Rd
 Mashpee, MA 02649
 Phone: +1/ 508-539-0002
 Fax: +1/ 508-539-4088
 eMail: salesusa@meder.com

Reed Switch: KSK-1A31-3540

Part Number: 2113103540

Dimensions (mm)



Magnetic Characteristics	Conditions at 20°C	Min.	Typ.	Max.	Units
Pull-In Switch unmodified	Testcoil KMS-01	35		40	AT
Drop Out Switch unmodified	Testcoil	-		-	AT
Pull-In Switch modified	Testcoil	-		-	AT
Drop Out Switch modified	Testcoil	-		-	AT

Contact Data 31(Form A/wetted)		Min.	Typ.	Max.	Units
Contact Rating	Any combination of the switching voltage and current must not exceed the given rated power			50	W
Switching Voltage	DC or Peak AC			500	V
Switching Current	DC or Peak AC			2,0	A
Carry Current	DC or Peak AC			3,0	A
Static Contact Resistance (initial)	Measured with 40% overdrive			30	mΩ
Insulation Resistance	RH 45%	10 ¹⁰			Ω
Breakdown Voltage		1500			VDC
Operate Time, including Bounce	Measured with 40% overdrive			1,2	ms
Release Time	Measured with no suppression		0,3	1,0	ms
Capacitance					pF

Environmental Data		Min.	Typ.	Max.	Units
Shock	½ sine wave, duration 11ms			50	g
Vibration	from 10 - 2000 Hz			20	g
Operating Temperature	10°C/min max. allowable	-20		130	°C
Storage Temperature	10°C/min max. allowable	-55		130	°C
Soldering Temperature	5 sec. at			260	°C
Remarks					

Modification of Reed Switches	
Cutting the leads causes higher pull-in and drop-out values.	